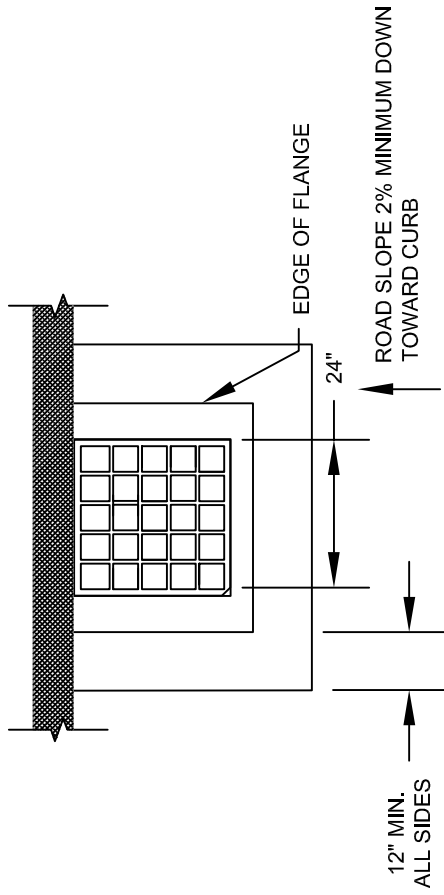
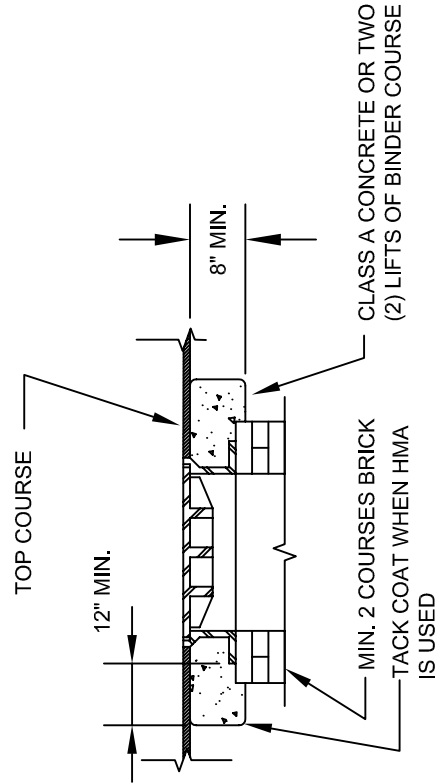


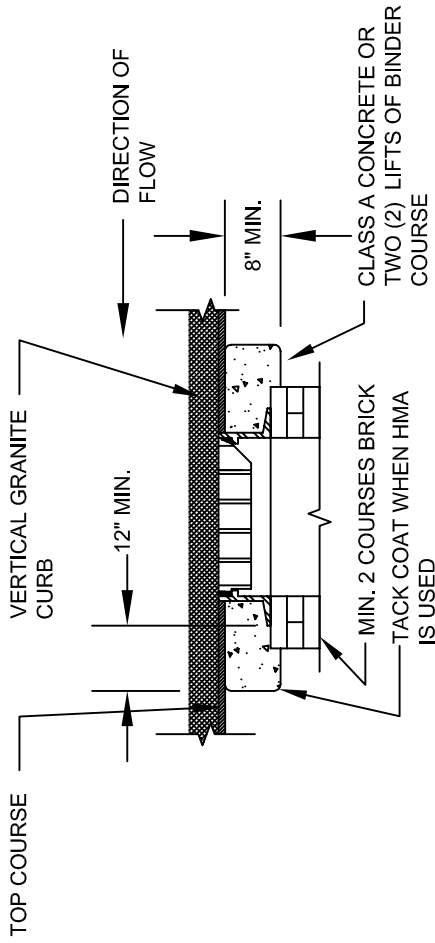
PLAN



PLAN



SECTION
MANHOLES



SECTION
CATCH BASINS

NOT TO SCALE